



LED FIXTURE SPECIFICATION

MODEL # **CCV23**

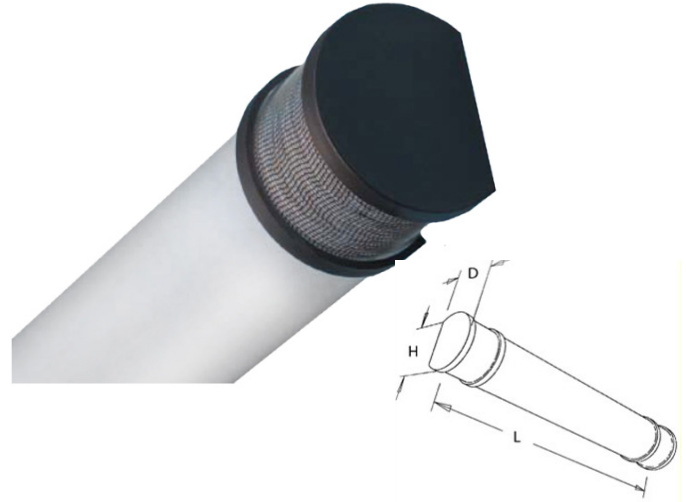


FINAL MODEL #			
PROJECT			
TYPE		AREA	
NOTES			

STANDARD FEATURES: OVER BED & VANITY / INDOOR

Fixture thermally tested to ensure longevity
 Maximum light distribution throughout lens
 Over current/voltage short circuit protection
 UL and/or CSA Compliant Listed
 Constant Current Design

FIXTURE	LED ENGINE
BASE CR Steel Construction FINISH Narrow Ring, Mesh Fabric Ends, Solid Bronze LENS Clear Acrylic, White Interior Insert LOCATION Damp COMPLIANT RoHS LIFE HOURS 50,000 WARRANTY Limited 5 Years	LG/NICHIA/SAMSUNG, LED CHIPS LUMENS PER WATT AVG 100-120 @Module Efficacy KELVIN 27K 30K 35K 40K 50K CRI 80+ DRIVER 120 VOLTS 50/60Hz POWER FACTOR High TRIAC OR ELECTRONIC Low Voltage Dimming Down To 5% With Wall Box Dimmers TESTED LM80 and LM82



LED LIGHT SOURCE OPTIONS* ORDERING INFORMATION:

EXAMPLE

WATTAGE: 12 KELVIN: 3000k SIZE: 5x2

WATTAGE: KELVIN: SIZE:

SIZE OPTIONS		
L28	H5	D4
L40	H5	D4
L52	H5	D4

SYSTEM WATTAGE	2700K WARM WHITE	3000K SOFT WHITE	3500K NEUTRAL	4000K COOL WHITE	LEGACY 30K SUBSTITUTE
13	1314	1383	1430	1465	T8 17 / T5 14
19	1951	2044	2106	2153	T8 25 / T5 21
21	2122	2206	2306	2364	T8 32 / T5 28
24	2424	2496	2533	2596	(2) T8 17 / (2) T5 14
39	3982	4087	4120	4196	(2) T8 25 / (2) T5 21
44	4400	4469	4579	4593	(2) T8 32 / (2) T5 28

*MORE OPTIONS AVAILABLE UPON REQUEST

SPECIAL OPTIONS (please specify if applicable)

EXAMPLE

DRIVER: DVD FINISH: FCU LENS: LCU ACCESSORIES: FUS TECHNOLOGY: CT

DRIVER: FINISH: LENS: ACCESSORIES: TECHNOLOGY:

DRIVER	FINISH	LENS	ACCESSORIES	TECHNOLOGY
<input type="checkbox"/> DV 120/277 (Non Dimmable) <input type="checkbox"/> DVD 120/277 (0-10v Dimmable)	<input type="checkbox"/> FB Black <input type="checkbox"/> FBR Bronzestone <input type="checkbox"/> FCU Custom Any RAL Finish <input type="checkbox"/> FSN Satin Nickel <input type="checkbox"/> FW White	<input type="checkbox"/> LCU Custom	<input type="checkbox"/> CO Convenience Outlet <input type="checkbox"/> FUS Fused <input type="checkbox"/> FBF Front Baffle <input type="checkbox"/> IB Individually Boxed <input type="checkbox"/> NL Night Light <input type="checkbox"/> PCH Pull Chain <input type="checkbox"/> RS Rocker Switch/White <input type="checkbox"/> SRP Surge Protector <input type="checkbox"/> TWS Three Way Switching (Pull Chain)	<input type="checkbox"/> BLD Bi-Level Dimming <input type="checkbox"/> CT LED Color Tuning <input type="checkbox"/> EMG Emergency (Any Lumens Package) <input type="checkbox"/> EMGR Emergency Remote <input type="checkbox"/> OS Occupancy Sensor On/Off <input type="checkbox"/> OSCD Occupancy Sensor Step Dimming

